



*We Make
Your Products
Become Reality*

www.ams-site.com





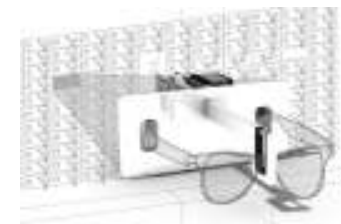
www.ams-site.com

AMS Products Assembly, Foshan Co. Ltd (Nanhai)

Complete Product Assembly
Sub-Assembly



www.ams-site.com





Enraf Nonius



www.ams-site.com



Power Plate International



Carver Fitness



www.ams-site.com

Technologies88

www.ams-site.com



Famostar Emergency Lighting



Remote Controlled Secure Display Systems



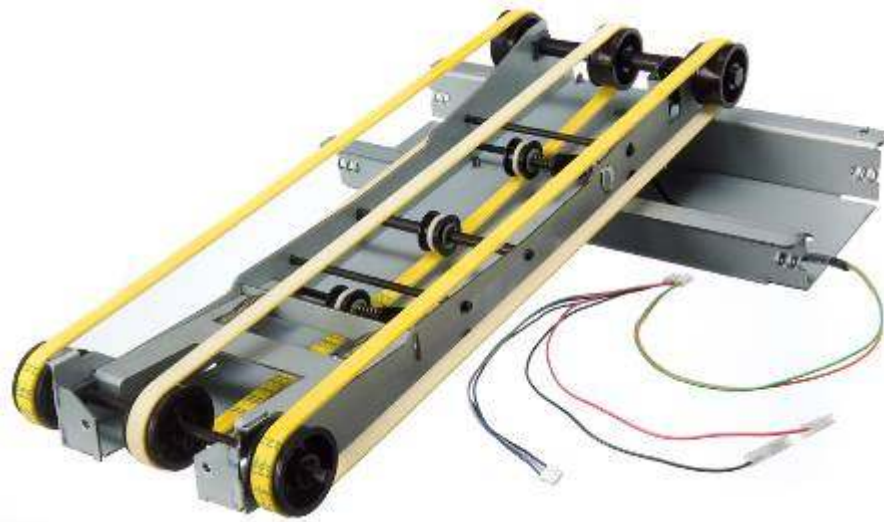
Topvision Group





By The Glass International

www.ams-site.com



Neopost Technologies





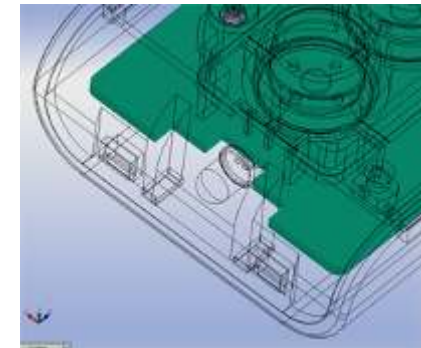
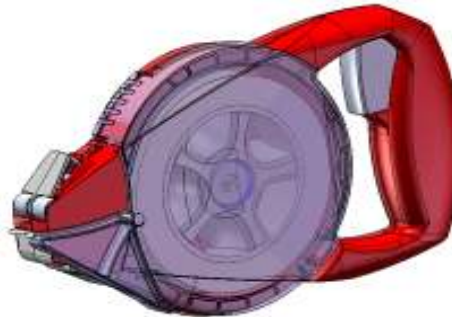
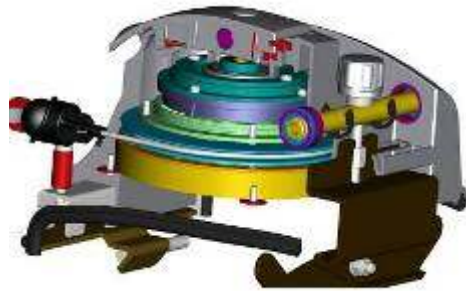
Mypro – QuipTaping

In-house:

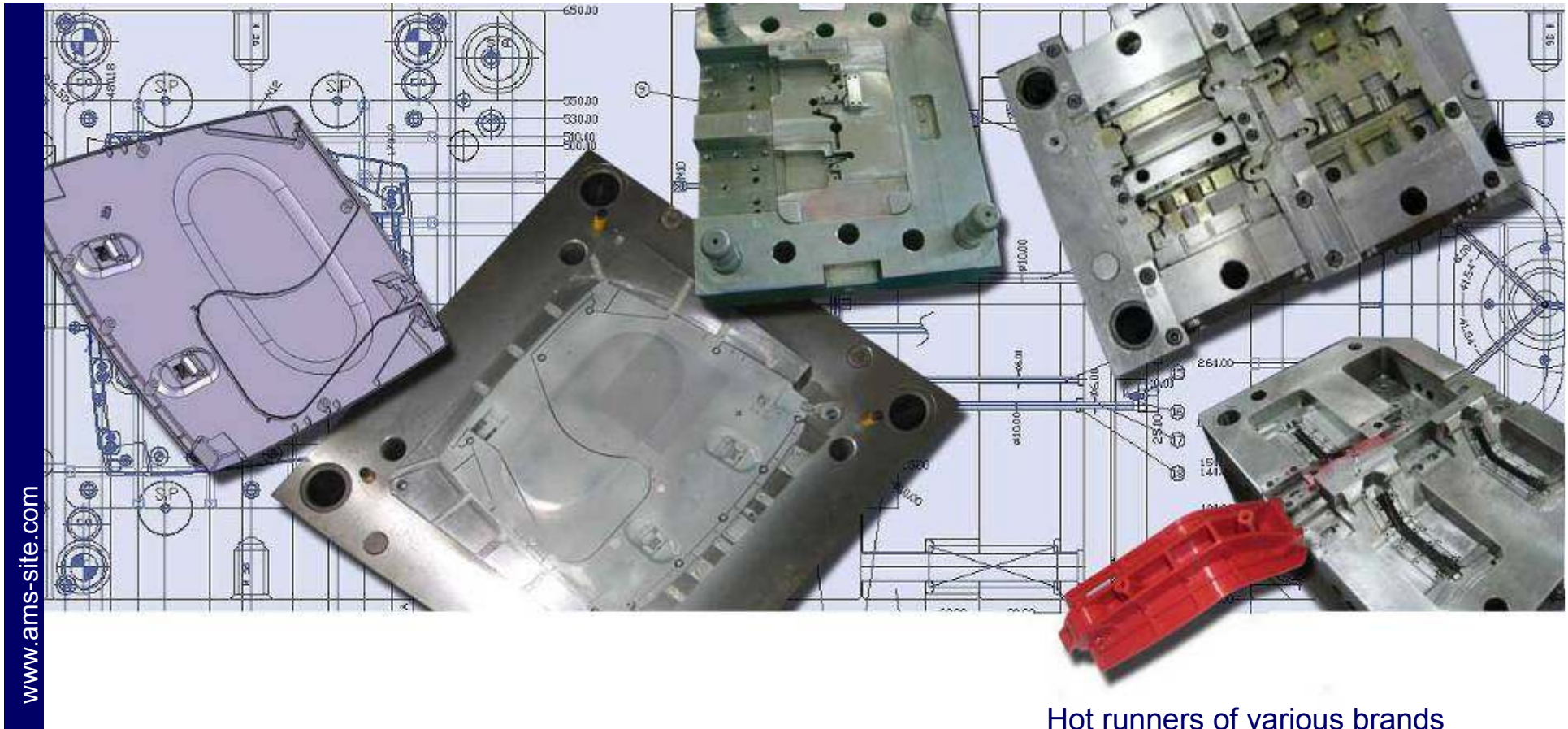
- Product- and component design
- 2 & 3D CAD engineering
- Assembly engineering
- Testing- and durability programs
- Sub- and final assembly

Supply chain management and purchasing:

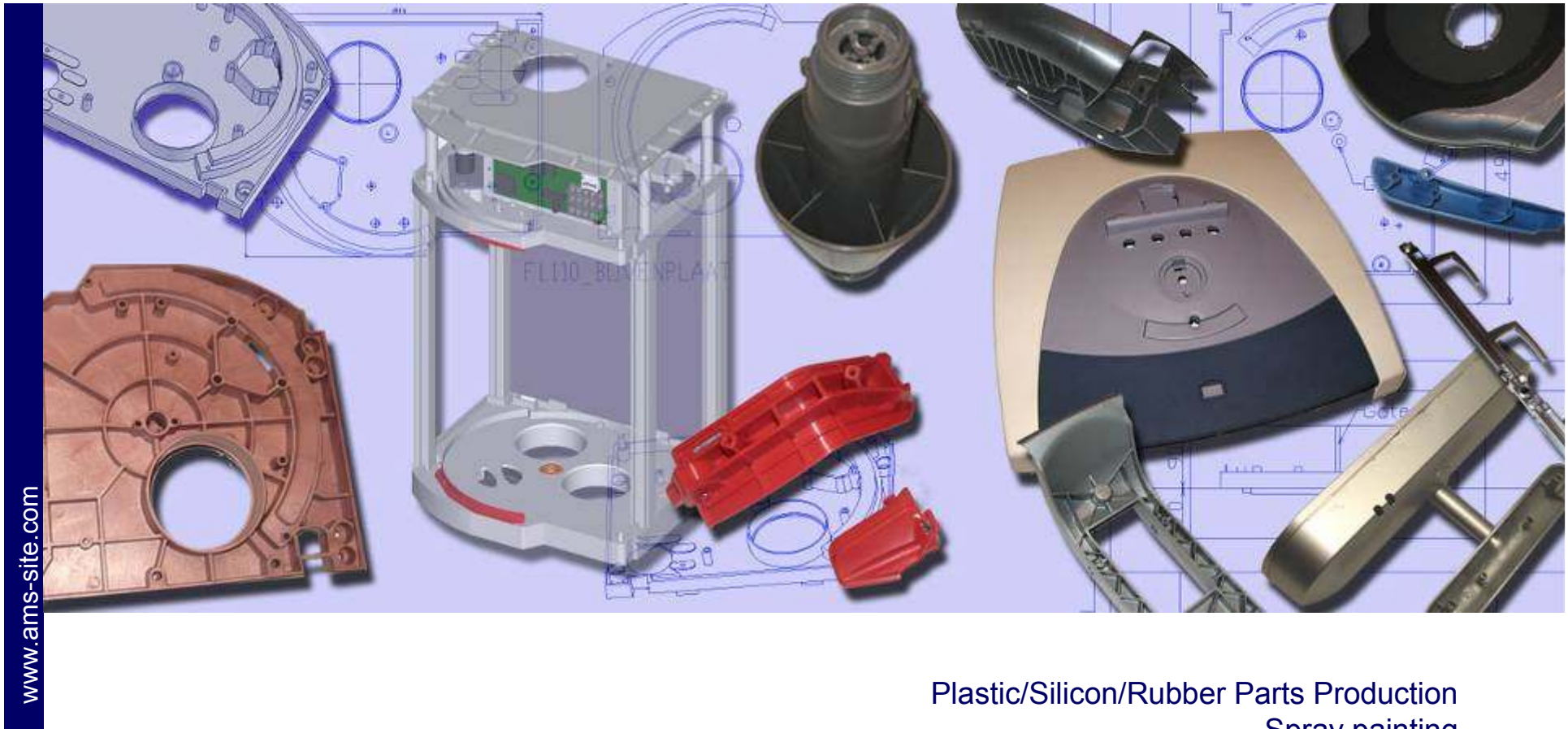
- Injection Moulds
- Plastic components
- Proto typing – SLS/SLA
- Metal components and processing
- PCBA's and electronic components
- Logistics and shipping



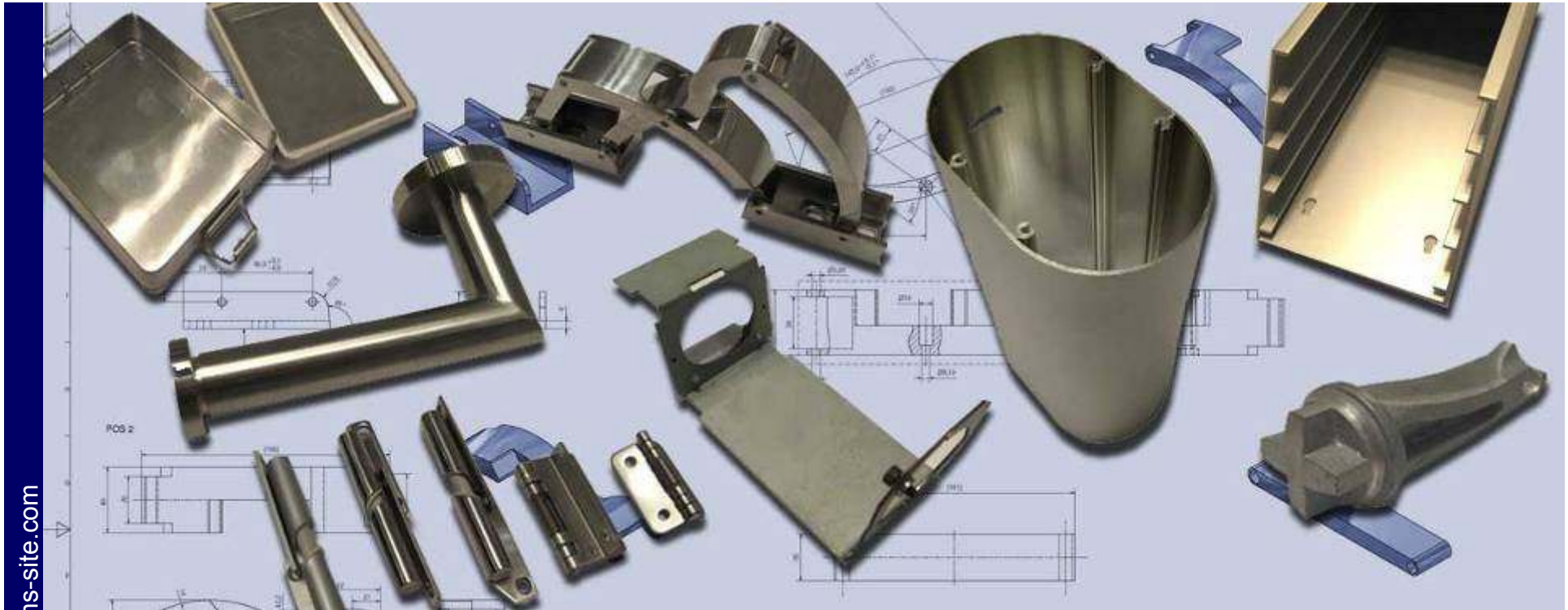
Mechanical Engineering
Detail Engineering
Rapid Prototyping – Silicon mould/CNC/SLS/SLA
2D/3D drawings
Revision Management



Hot runners of various brands
Multi cavity
Hasco standards

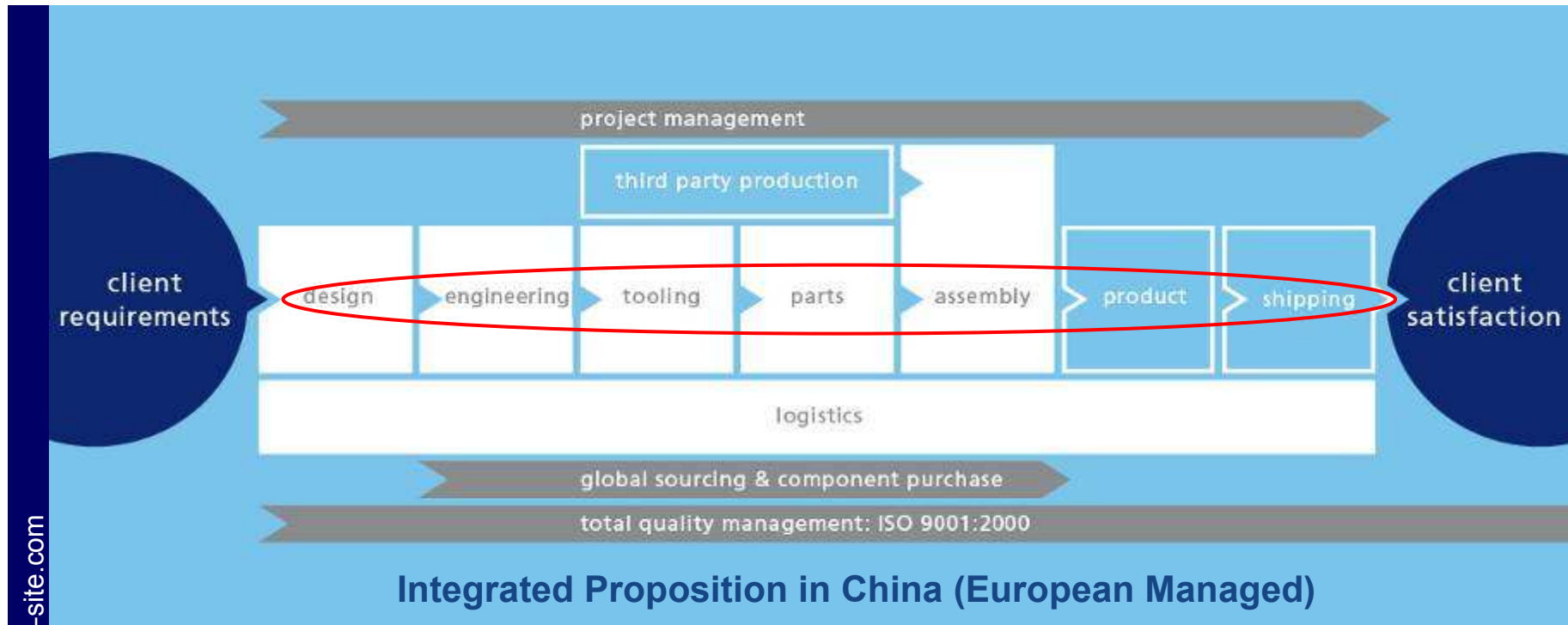


Plastic/Silicon/Rubber Parts Production
Spray painting
Metalizing
Inserts
Over mould



www.ams-site.com

Stamping
Extrusion
Multiple Axis CNC (high precision)
Lost wax/ sand / die casting
Anodizing / Galvanizing / Powder coating / Spray painting
Laser Engraving



www.ams-site.com

1. Engineering for Manufacturing
2. Sourcing (tooling & parts):
3. Assembly
4. Logistics

Prototyping, efficiency, cost engineering
 Cost savings & coordination (incl. risk)
 IP & TQM
 Speed, coordination

www.ams-site.com



Partner for Life



Software:

- MS Office
- MS Project
- Solid works 2010 / Pro-E / Uni-graphics

Metal:

- Conventional & progressive stamping
- Extrusion Aluminum
- Die casting/lost wax casting/sand casting
- CNC (milling/lathe/multiple axis)
- Secondary processing & surface finishing

Electronics:

- Cables
- PCBA's
- Batteries
- LCD & Touch panel screens

Prototyping:

- CNC plastics & steel & aluminum
- PU Molding
- SLS & SLA
- Secondary processing & surface finishing

Plastics:

- Injection Molding
 - max 1.300T – shot weight 7.140grams
 - overmould/hotrunner/multicavity/screw moulds
- Extrusion Plastic
- Vacuum forming
- Secondary processing & surface finishing

Assembly:

- Cell assembly
- Line assembly
- ENEC
- QMS according to ISO9001:2008 certificate

The Netherlands

Amsterdam Office:

Platanenplein
Asterweg 20 S3
1031 HN Amsterdam
The Netherlands

T: +31 20 494 0354
F: +31 20 494 0355

bbakkum@ams-site.com
rschliek@ams-site.com
tsteltenpool@ams-site.com

PR China

Guangzhou Office:

Suifeng Side Building
Suite 302-303
Yongtai West,
10 Xianli Zhong Road
Guangzhou, 510075
PR China

T: +86 20 8732 7643
F: +86 20 8732 7644

smasters@ams-site.com
phinten@ams-site.com